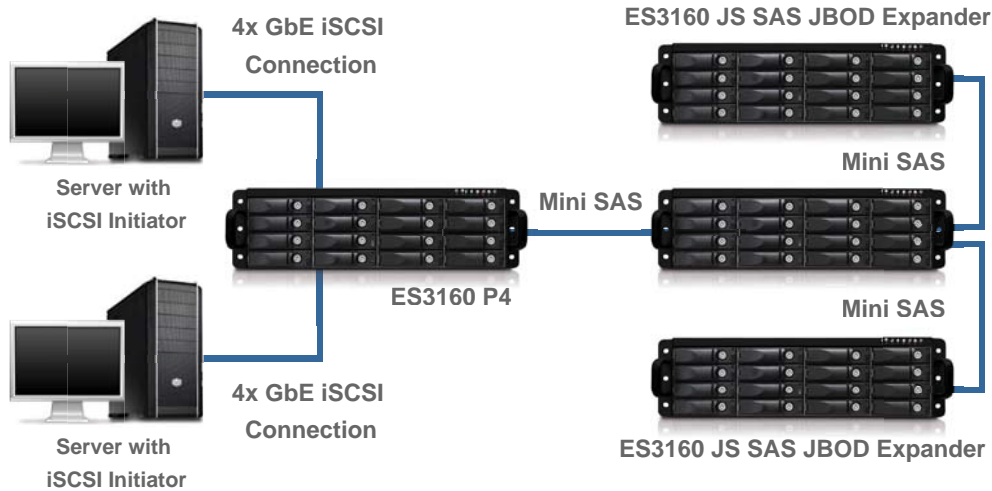


How ES3160 P4 Can Work for You

Fault Tolerance Storage Solution

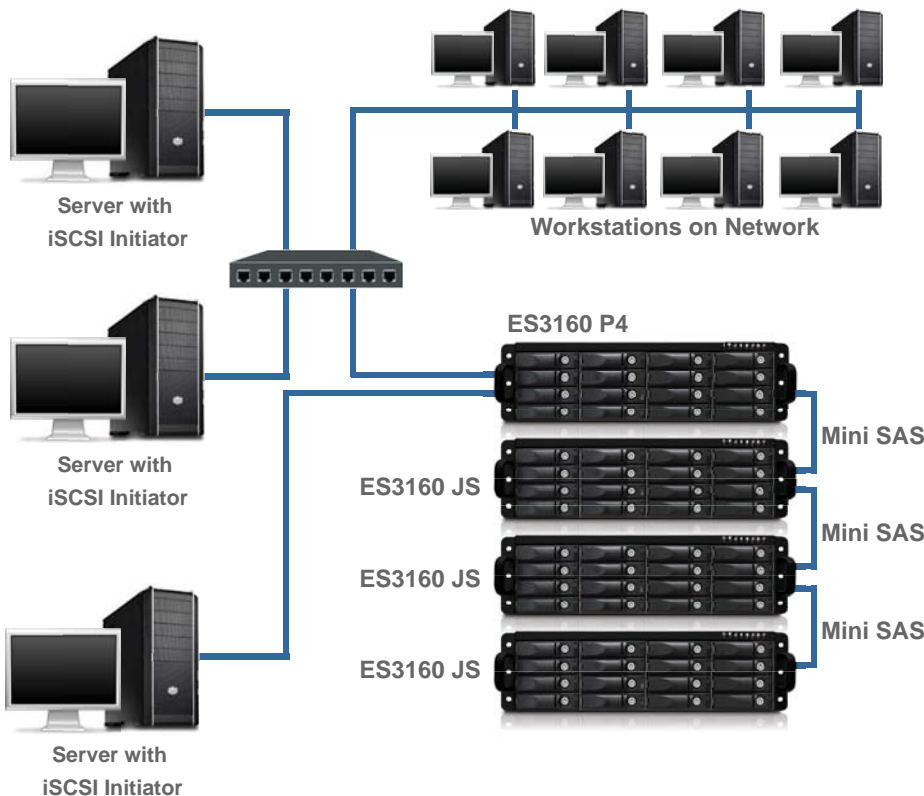
The UltraStor ES3160 P4 can provide users for dual active RAID protection, high iSCSI bandwidth, high-availability, load-balancing and superior performance. The ES3160 P4 can connect to multiple target servers via ethernet network, meaning that accessing your data can be done through multiple iSCSI connections. With the UltraStor ES3160 P4, businesses can benefit from its high availability, scalability, and sustainability for advance storage applications such as SQL/Exchange storage, high performance backup, or virtualization computing.



- Two servers with iSCSI initiator connects to UltraStor ES3160 P4 via 8x iSCSI connections.
- Two servers have access to UltraStor ES3160 P4 simultaneously for fault tolerance.
- UltraStor ES3160 P4 expands to another three SAS/SATA JBOD enclosures through Mini SAS SFF-8088.
- Up to four full capacity storage systems.

High-performance IP SAN

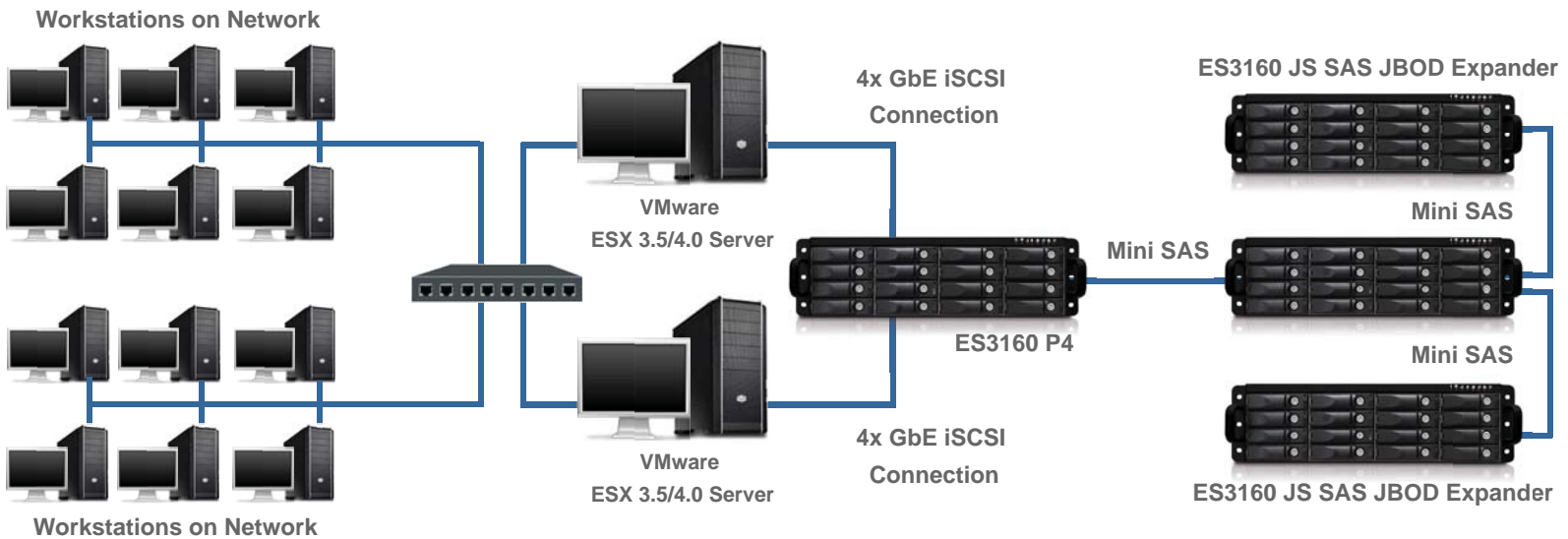
Equipped with 4xGbE iSCSI per controller and compatible with the industry standard Ethernet interfaces, the ES3160 P4 is the ideal IP SAN storage solution for disk-to-disk backup and shared SAN environments. Compatible with Microsoft Multipath I/O, ES3160 P4 minimized downtime with clustering and makes high capacity storage available shared by a numbers of servers. The ES3160 P4 provides perfect blends of performance, RAID protection, and manageability designed for centralized SAN environments.



- UltraStor ES3160 P4 connected to two servers via GbE switch and attached to one server via iSCSI connection.
- Three servers have access to UltraStor ES3160 P4 at same time for fault tolerance.
- Workstations on network share ES3160 P4 and expansion storage capacity.
- UltraStor ES3160 P4 expands to another three SAS/SATA JBOD enclosures through Mini SAS SFF-8088.
- Up to four full capacity storage systems.

Virtualization Storage Solution

Where economy meets flexibility with the UltraStor ES3160 P4; ES3160 P4 is compatible with VMware ESX 3.5 and 4.0 servers for virtualization storage applications. The ES3160 P4's expandability allows users to add more storage capacity as their business grows while helping organizations to lower IT cost, simplify operations and improve resource utilization.



- UltraStor ES3160 P4 connected to two VMware ESX 3.5 or ESX 4.0 servers via iSCSI connections for high bandwidth and fault tolerance.
- UltraStor ES3160 P4 expands to another three SAS/SATA JBOD enclosures through Mini SAS SFF-8088 that provides massive capacity of storage for VMware ESX servers.
- Workstations on network share and with access to the data on ES3160 P4 and its expansion storage through VMware ESX servers that connected through a GbE network switch.