

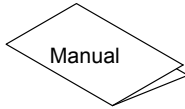
Enhance Technology QuadraPack Q14

4 x 2.5" HDD in 1 x 5.25" SATA / SAS Internal HDD Enclosure

1. Package includes



Q14 x 1



Manual

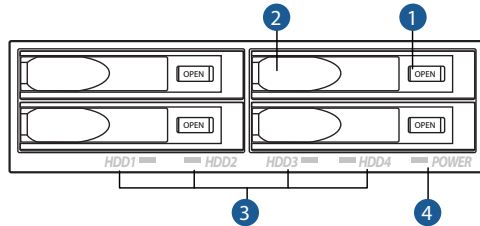


M3 x 0.5 x 3L x 6pcs



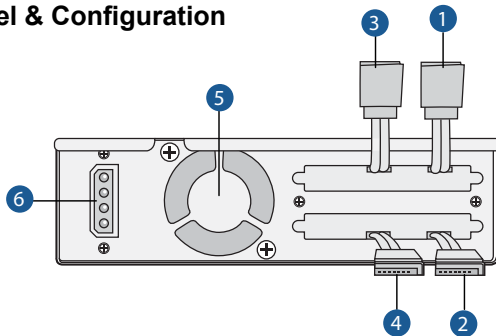
M3 x 0.5 x 6L x 20pcs

2. Front Panel Indicator & Key Lock



1. HDD Tray Bezel
2. HDD Tray Latch
3. HDD LED
 - a. HDD Access (Amber)
 - b. HDD Fail (Red)
4. Power On LED (Green)

3A. Rear panel & Configuration



1 ~ 4 - Primary HDD (SATA/SAS connector)

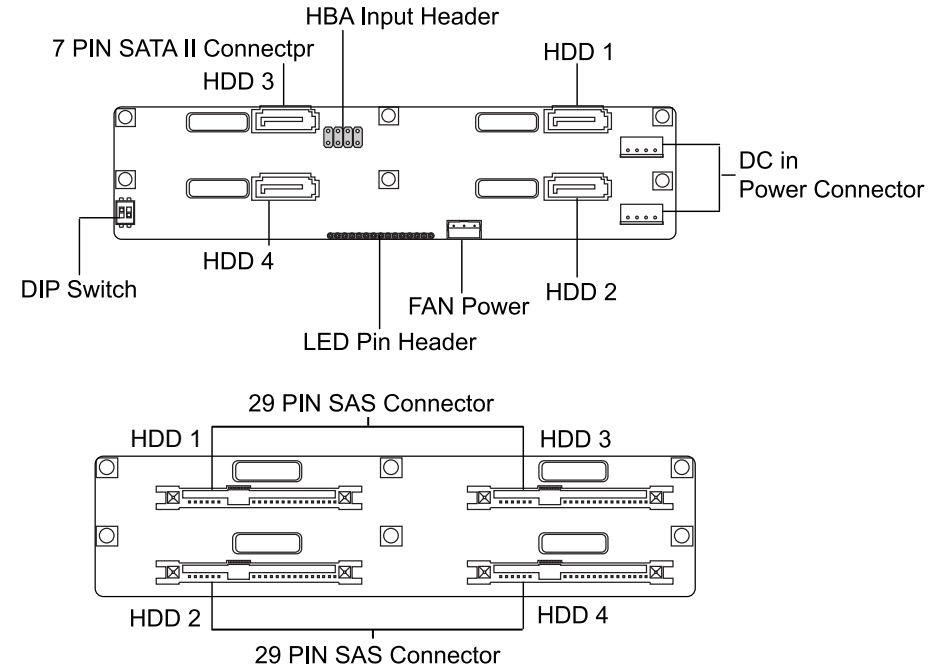
Connect cable to connector 1-4 for SATA/SAS HDD (Single channel for SAS)

5 - 40mm cooling fan

6 - 5V/12V DC Power in

Connect both power in if needed

3B. Backplane Layout & Configuration



4. Assembly & Operation Instruction

A. Pull out the HDD tray by press the latch button

B. HDD Assembly

Using 4 pcs screws to fix each HDD onto the HDD tray, then insert the HDD tray into the housing

