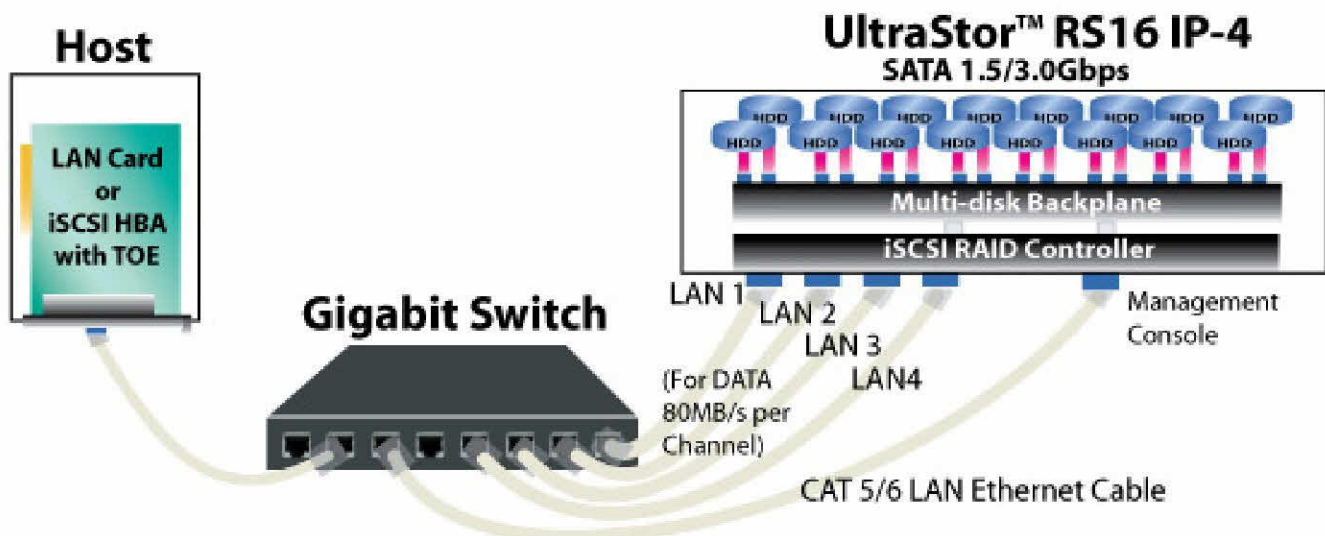


RS16-IP4 Step by Step Instruction
on
VMware Virtual Volumes &
Active Passive Port Configuration for
VMware ESX 3.5



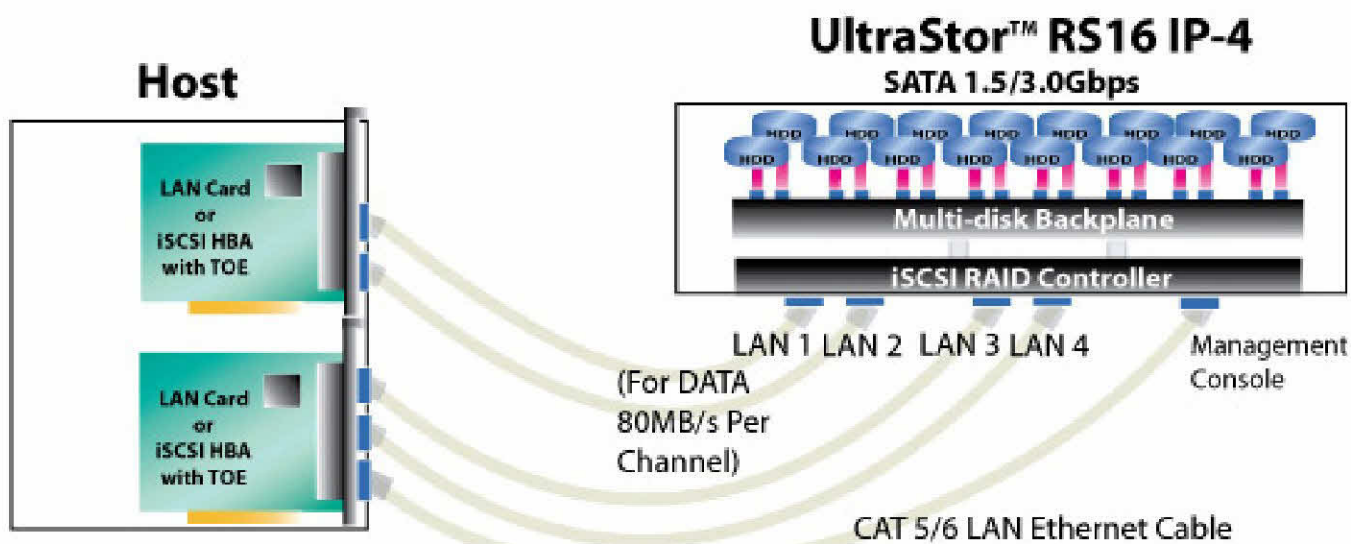
Where Storage Begins





UltraStor™ RS16 IP-4 (iSCSI) Quad GbE iSCSI Connectivity via Gigabit Switch LAN

Configuration Diagram A



UltraStor™ RS16 IP-4 (iSCSI) Quad GbE iSCSI Connectivity via Direct Connect to Host

Configuration Diagram B

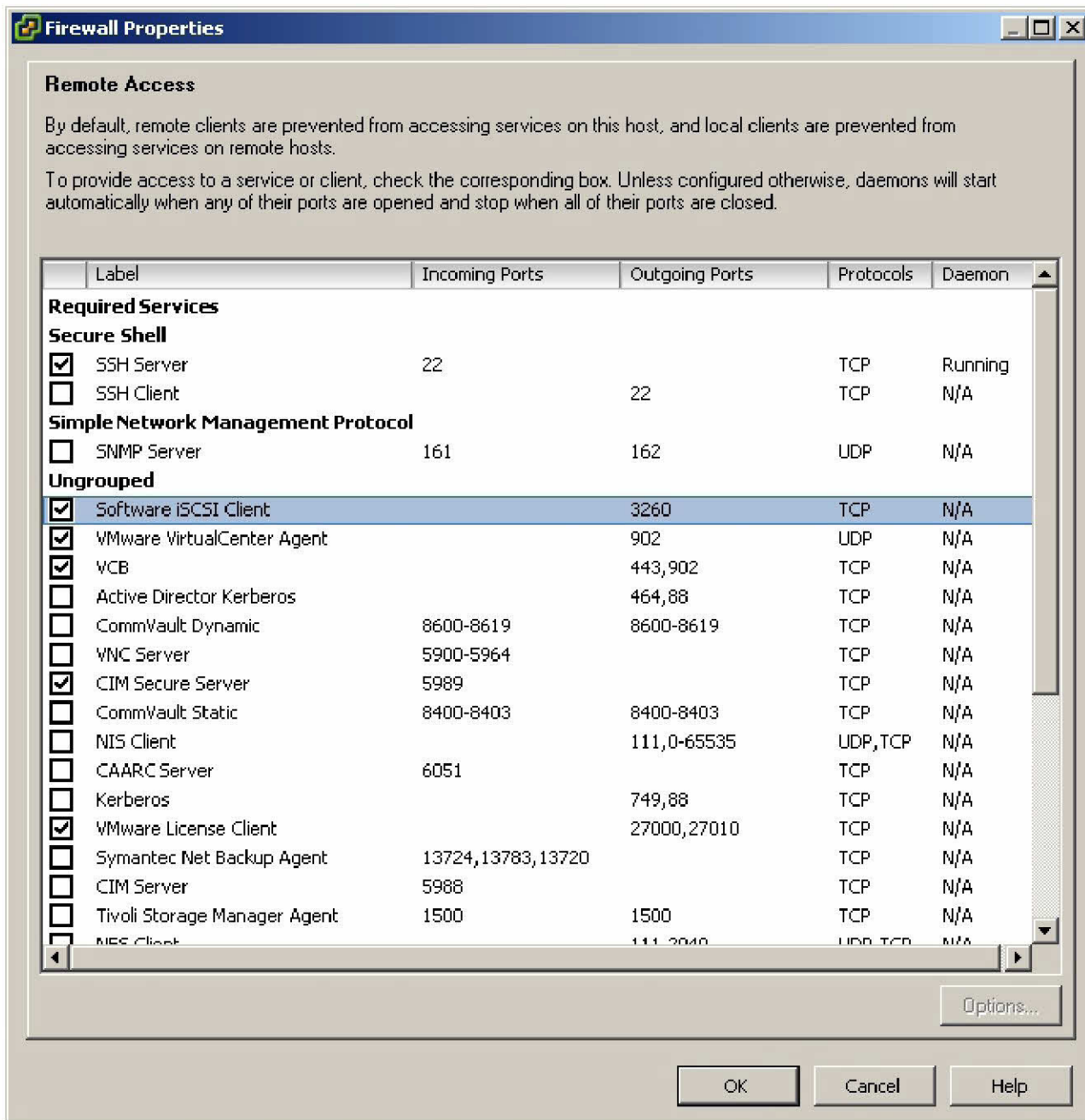


Figure 1

- 1.1 VMware Firewall setting for iSCSI connection.
- 1.2 Before setting up the virtual switch connection, please make sure both the entry labeled 'Software iSCSI Client' and 'SSH Server' are checked in the firewall properties.
- 1.3 Click the "OK" button to enable the service and close the screen.

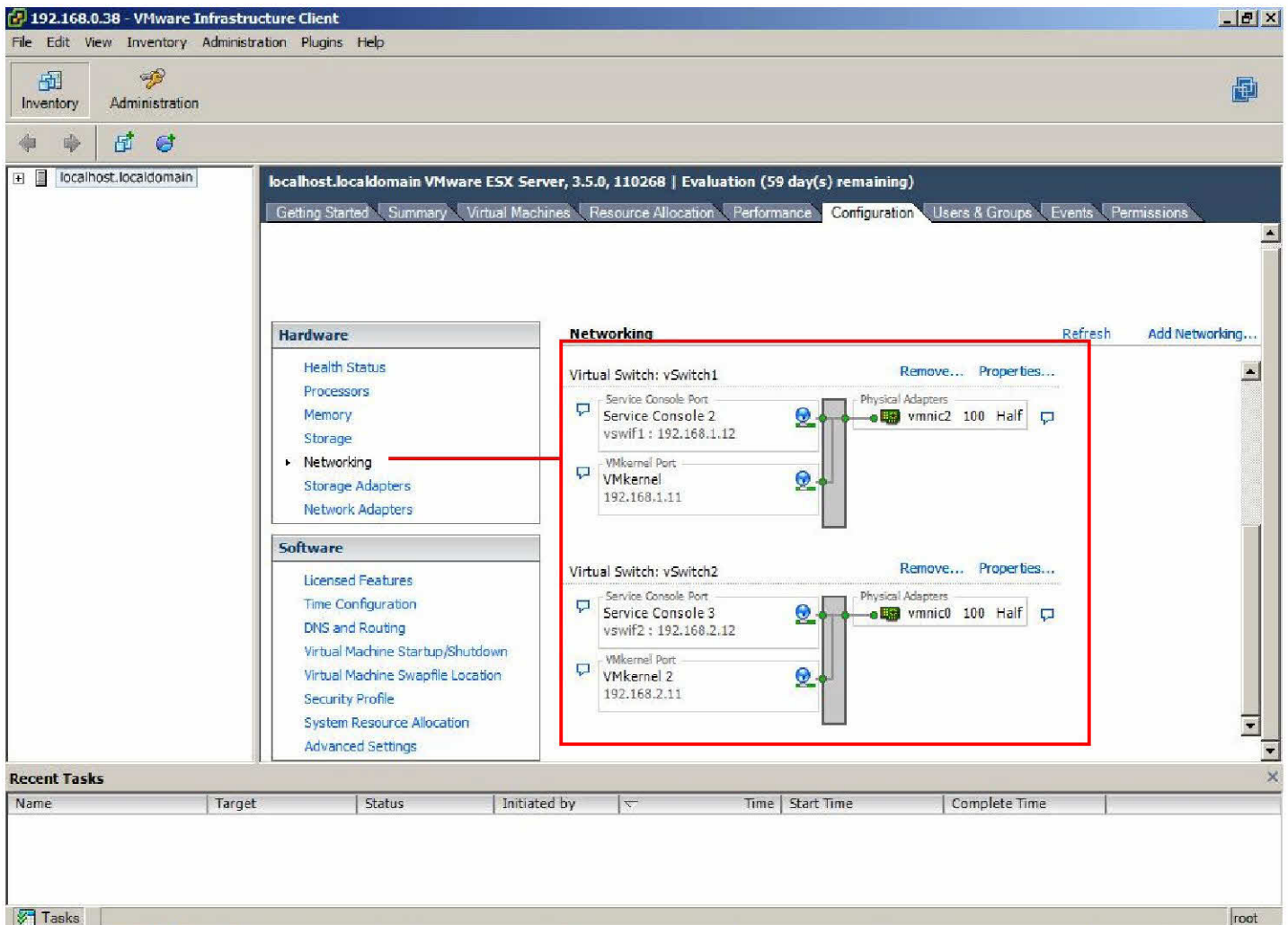


Figure 2

- 2.1 Add two Virtual Switches, each vSwitch provide one Service Console and one VMkernel.
- 2.2 vSwitch1 set as 192.168.1.x subnet . (This assumes IP address of 192.168.1.12 on service console for our example)
- 2.3 On the ESX server go to Configuration -> Networking and then click the Properties of the first Virtual Switch.
- 2.4 Click “Add and select VMkernel” from the choices and click “Next”.
- 2.5 Type the IP Address of 192.168.1.11 and Subnet Mask of 255.255.255.0 under IP settings and click “Next”.
- 2.6 Click “Finish”.
- 2.7 Select “Yes” at the default gateway warning dialog box.
- 2.8 On DNS and routing configuration box, type the same default gateway same as the Service Console default gateway and click “OK”.
- 2.9 Click “Close” on virtual switch properties.

Repeat the same steps described above using a different IP address for the other vSwitch.

- 3.1 vSwitch2 set as 192.168.2.x subnet (This assumes IP address of 192.168.2.12 on service console for our example)
- 3.2 On the ESX server go to Configuration -> Networking and then click the Properties of the second Virtual Switch.
- 3.3 Click “Add and select VMkernel” from the choices and click “Next”.
- 3.4 Type the IP Address of 192.168.2.11 and Subnet Mask of 255.255.255.0 under IP settings and click “Next”.
- 3.5 Click “Finish”.
- 3.6 Select “Yes” at the default gateway warning dialog box.
- 3.7 On DNS and routing configuration box, type the same default gateway same as Service Console default gateway and click “OK”.
- 3.8 Click “Close” on virtual switch properties.

Active Passive Port Configuration

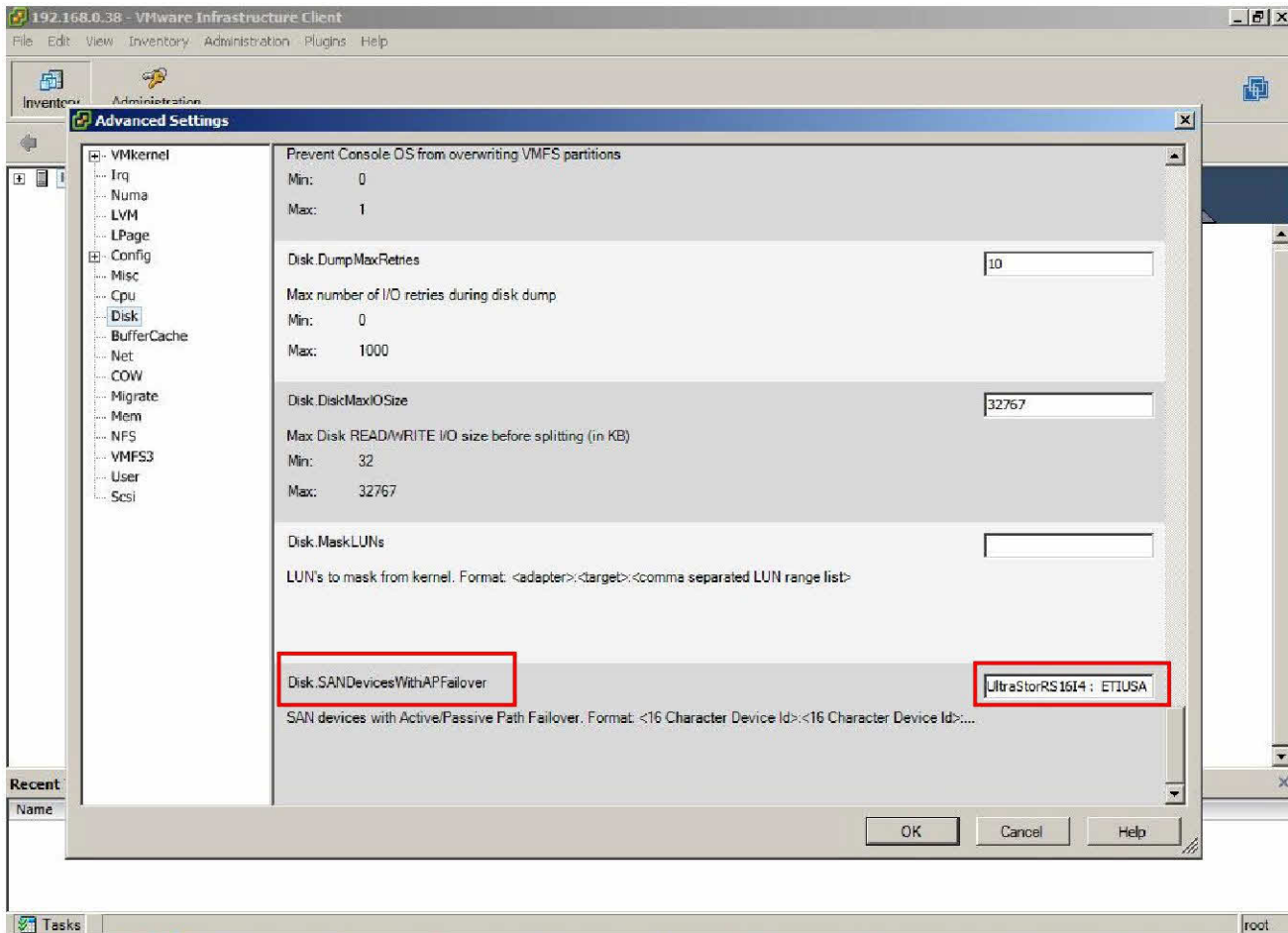


Figure 4

- 4.1 Add the Enhance-Tech RS16-IP4 to the list of SAN devices with active/passive path by following these steps:
- 4.2 Using the Virtual Infrastructure Client, select the 'Configuration' tab.
- 4.3 Select 'Advanced Settings'.
- 4.4 Select 'Disk'.
- 4.5 Select 'Disk.SANDevicesWithAPFailover'.
- 4.6 For **UltraStor RS16-IP4 Storage Systems**, add 'UltraStorRS16-I4 :' to the value.

Note: Device ID strings in **Disk.SANdeviceswithAPFailover** must end with a space and a colon.

For example, a single entry would look like:

UltraStorRS16-I4 :

Two entries might look like:

UltraStorRS16-I4 : ETIUSA :

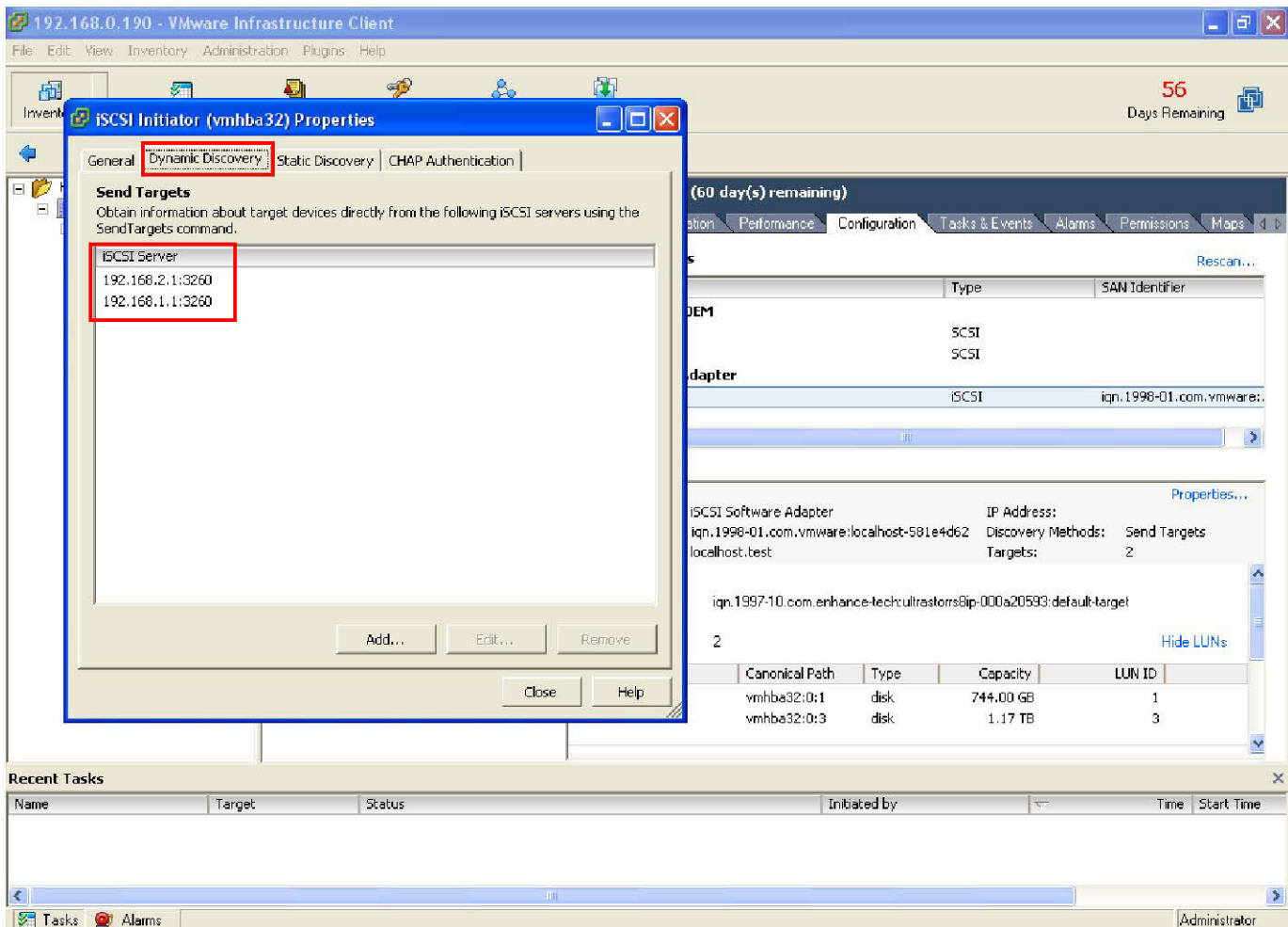


Figure 5

- 5.1 Discover the targets.
- 5.2 Go to Configuration -> Storage Adapters, select iSCSI Software Adapter and click on properties.
- 5.3 Click "Configure" under General tab and check "Enabled".
- 5.4 Click "OK".
- 5.5 Go to Dynamic Discovery tab and click "Add".
- 5.6 Type the IP address of Link1 (192.168.1.1), click "OK" and wait for the server to be added to Send Targets list.
- 5.7 Click "Add" and type the IP address of Link2 (192.168.2.1).
- 5.8 Click "OK" and wait for the IP address to appear in the list.

