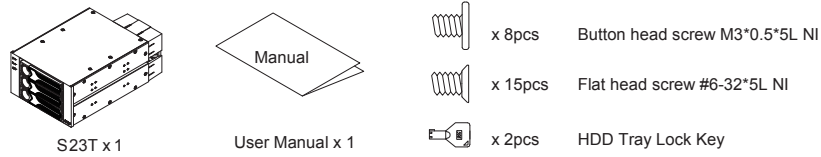


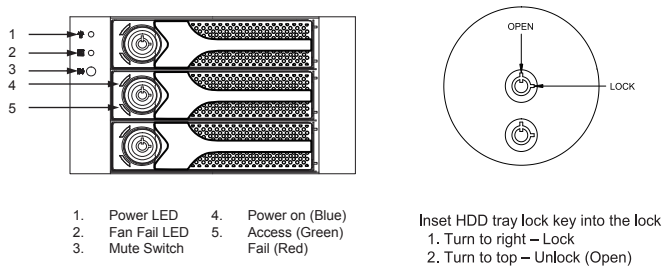
StorPack™ S23T SATA/SAS Internal HDD Enclosure

User's Manual

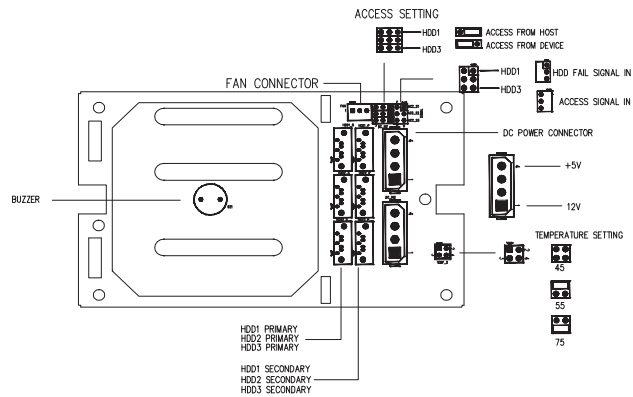
1. Package includes



2. Front Panel Indicator

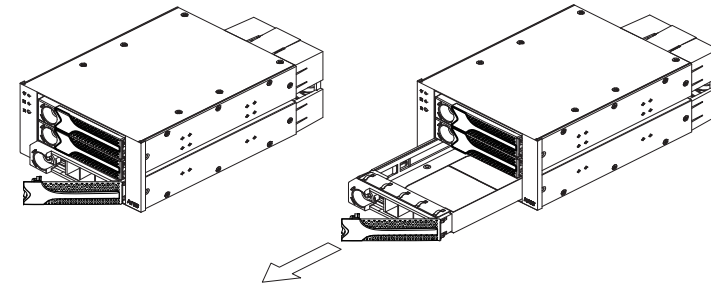


3. Back Panel Setting / Configuration



4. Assembly & Operating Instruction

A. Pull out the HDD tray by pushing the latch button.



B. HDD Assembly

Using 4 pcs of #6-32 screws to fix the HDD onto the HDD tray. Then insert the HDD tray into the cage.

C. Removable Cooling Fan

Rear cooling fan can be removed by unplugging the fan power connector and then push the tab on the left side of the fan holder.

